



Main applications

- Machine control:
 - Plastics
 - Packing
 - Wood
 - Metalworking

Main features

- 15" display
- Resolution 1024x768 (XVGA)
- Touch screen: resistive, analog
- Field bus connectivity (CANOpen, Modbus RTU, Modbus TCP)
- Ethernet 10/100 BaseT
- Fan less
- Solid State Disk (DOM)
- Programmable with:
 - Gefran Automation Builder
 - VedoWin
 - Scada



PROFILE

The GF_VEDO line of operator terminals offers a compact and economic system for machine control.

Machine cycle control [IEC1131 based Soft PLC] and graphic page display [SCADA] are integrated in a single product.

This integration provides a variety of quick and economical automation solutions.

The GF_VEDO ML 150CT is offered with a 15" TFT active matrix display, with resolution of 1024x768 pixel (XVGA).

The processor belongs to the GEODE family (32 bit), with a minimum of 128 MB to a maximum of 512 MB of RAM, depending on the operating system installed.

A extremely important feature is the complete absence of moving parts: a Compact Flash mass memory of various capacity [1GB...2GB] is used, offering maximum safety even in the presence of strong vibration.

A wide range of peripheral I/O is available:

- 1x RS485 optoisolated
- 2xEthernet 10/100 Base-T
- 4xUSB 2.0 (Host)
- Fieldbuses keyboard

- Auto-ON
 - 1xRS232
 - PS/2 Mouse and Keyboard
 - 1 x Fieldbus [optional] (CAN Layer 2)
- The product can be ordered with different operating systems already installed, such as:

- VxWorks
- Windows XP Embedded

This solution allows the creation of various automation architectures (including real time) and the use of software from other suppliers.

The GF_VEDO family includes products with display from 3.5" to 15", with or without integrated machine keyboards.

In addition "ready-to-use" application are available, such as:

- GF_PACK_EXTRUSION extrusion
- GF_PACK_INJECTION injection

TECHNICAL DATA

DISPLAY

| | |
|-------------|-----------------------|
| Type: | TFT Color |
| No. colors: | 262.144 |
| Size: | 15" |
| Resolution: | 1024x768 (XVGA) |
| Luminosity: | 350 cd/m ² |
| Contrast: | 700:1 |

TOUCH SCREEN

| | |
|-------------|-----------------------|
| Type: | Resistive, 4 leads |
| Life: | >1.000.000 operations |
| Controller: | integrated |

PROCESSOR

| | |
|------------|-----------------|
| Type: | AMD GEODE LX900 |
| Frequency: | 600 MHZ |
| Core: | x86 |

MEMORY

| | |
|------------------------------|------------|
| System memory (DRAM): | 128-512 MB |
| Mass memory (Compact Flash): | 1GB-2GB |

OS SUPPORTED

VxWorks
Windows XP Embedded

GENERAL DATA

Front dimensions: 369x273mm
Drilling dimensions: 359x262mm
Weight: 2,1 Kg
Front panel protection: IP65
Working temperature: 0...50°C
Storage temperature: -20°C...70°C
Humidity: 5...95% non-condensing (IEC 68-2-3)
Power supply: 24Vdc ±25%, 20W
Certifications: CE, UL (awaiting certification)

Name: RS485
Connector: RJ10 4p4c
Optically isolated: YES
Baud rate: 9,6...115 kBaud

Name: USB1
Type: 2xUSB 2.0 HOST
Connector: Type A (500mA)

Name: USB2
Type: 2xUSB 2.0 HOST
Connector: Type A (500mA)

Name: KEY & LED
Function: Fieldbuses keyboard
Connector: RJ45 (without LEDs)
Optically isolated: NO

Name: PC-KEY
Connector: standard PS2 miniDIN 6 pin (green)

Name: FIELDBUS [optional]
Function: CAN layer 2
Connector: D-Sub 9 pin male

Name: RS232
Connector: D-Sub 9-pin male
Optoisolata: NO
Baud rate: 9,6...115 kBaud

Name: AUX
Function: future expansions

PERIPHERAL I/O

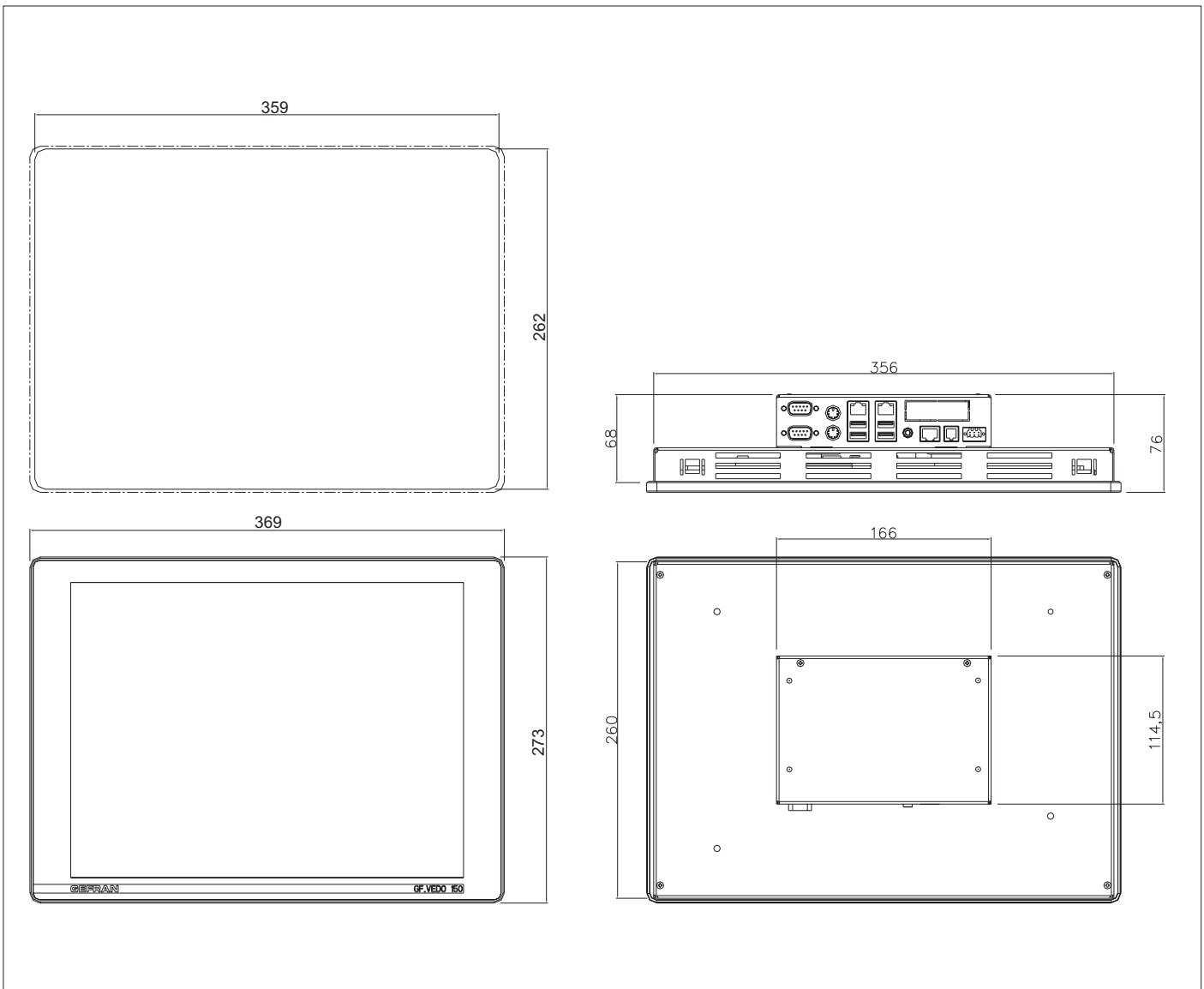
Name: ETH1
Type: Ethernet 10/100 Base-T
Connector: RJ45 with LEDs

Name: ETH2
Type: Ethernet 10/100 Base-T
Connector: RJ45 with LEDs

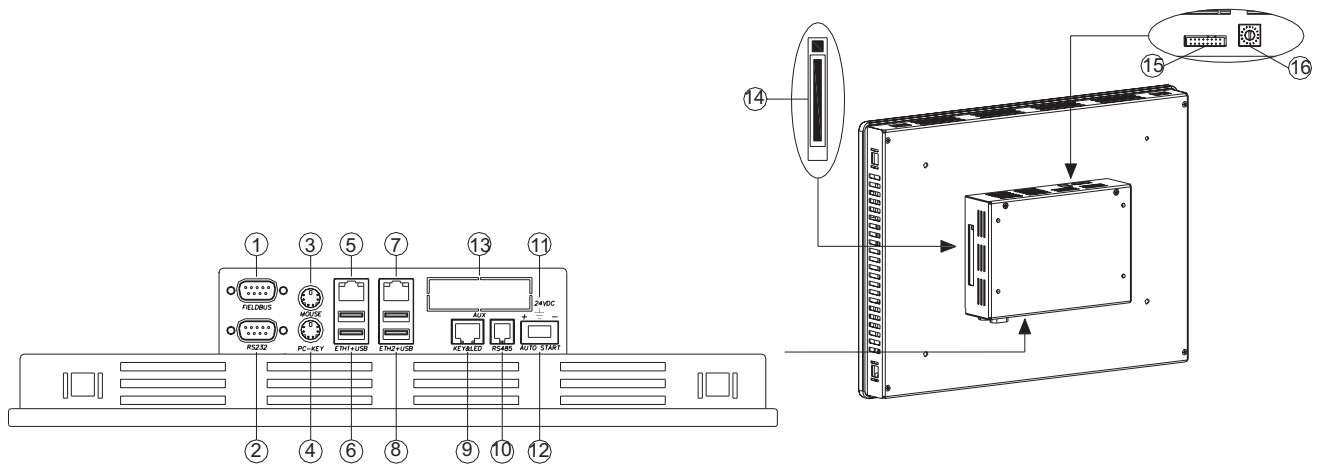
Name: AUTOSTART
Function: Auto-ON
Connector: 3-pin female, screw-type
24Vdc ±25%, 100mA

Name: MOUSE
Connector: standard PS2 miniDIN 6 pin (violet)

DIMENSIONS AND CUT OUT

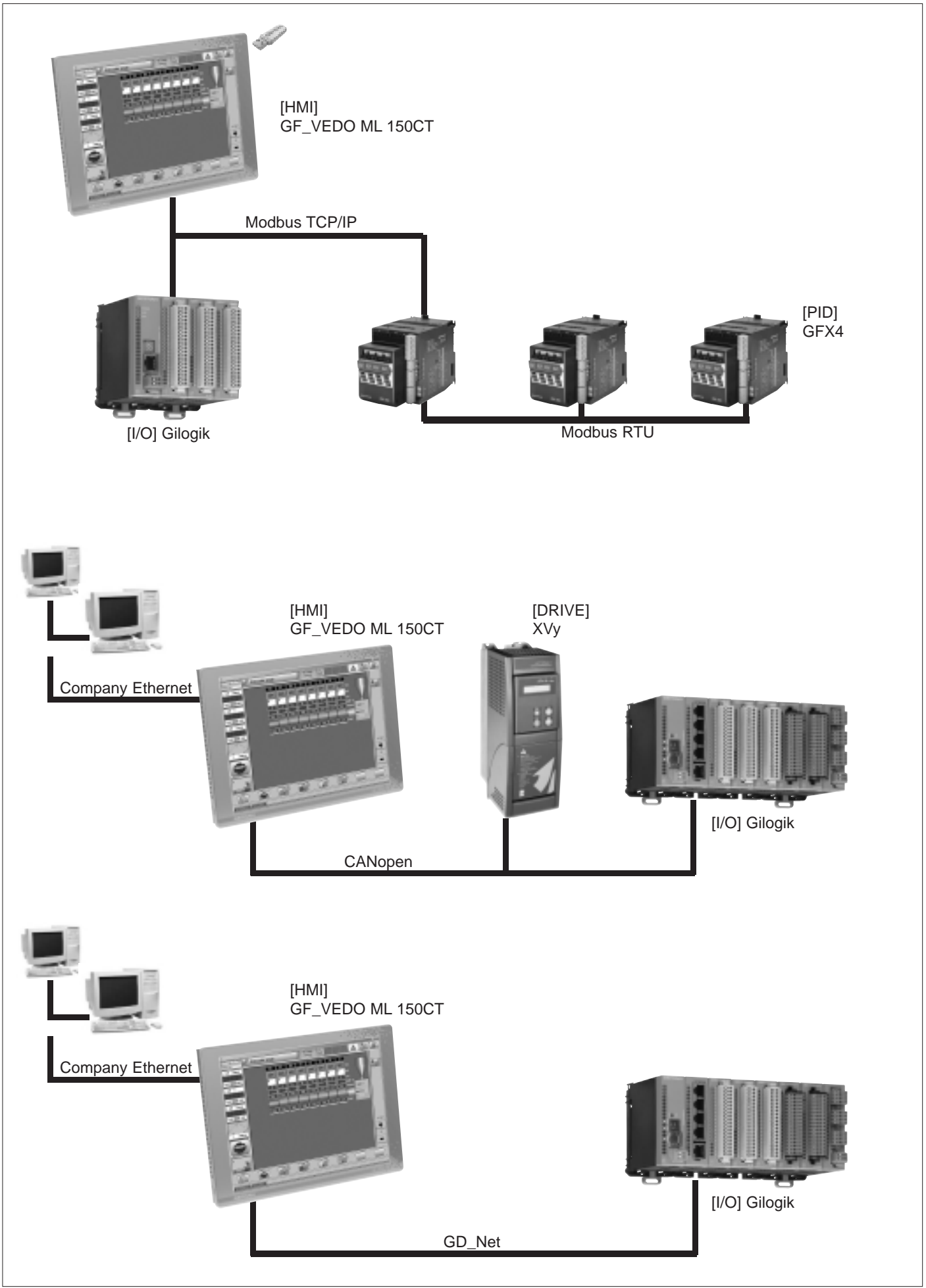


CONNECTIONS



| No | Name | Description |
|----|------------|----------------------------------|
| 1 | FIELDBUS | [Optional] -CAN layer 2 |
| 2 | RS232 | Serial RS-232 |
| 3 | MOUSE | PS/2 Mouse (green) |
| 4 | PC-KEY | PS/2 keyboard (violet) |
| 5 | ETH1 | Ethernet 10/100 Base-T |
| 6 | USB | USB 2.0 Host (500mA) |
| 7 | ETH2 | Ethernet 10/100 Base-T |
| 8 | USB | USB 2.0 Host (500mA) |
| 9 | KEY & LED | Fieldbuses keyboard |
| 10 | RS485 | RS-485 optically-isolated serial |
| 11 | AUTO-START | Auto-on |
| 12 | 24VDC | Power supply |
| 13 | AUX | Reserved for future uses |
| 14 | CF | Compact Flash |
| 15 | BATTERY | Battery jumper |
| 16 | ROTARY | Rotary configuration selector |

CONNECTION EXAMPLES



ORDER CODE

GF_VEDO ML 150CT 00 00 00 00

| MODEL | |
|---|--------|
| GF_VEDO ML 150CT | 150CT |
| OPERATING SYSTEMS | |
| VxWorks CF: 1GB RAM: 128MB | VW0 |
| VxWorks CF: 1GB RAM: 256MB | VW1 |
| WinXP Embedded CF: 1GB RAM: 256MB | XE0 |
| WinXP Embedded CF: 2GB RAM: 512MB | XE1 |
| EXPANSION 1 | |
| None | 00 |
| CANopen + RS232+ Autostart | C1 |
| EXPANSION 2 | |
| None | 00 |
| RS232 + Autostart | S1 (*) |
| LEXAN | |
| Gefran | G |
| Neutro | N |

(*) only in absence of the expansion1 (C1)

Please, contact GEFRAN sales people for the codes availability.

GEFRAN spa reserves the right to make any kind of design or functional modification at any moment without prior notice

ACCESSORIES

| | | |
|------------------|--|----------------------------------|
| Keyboards | Fieldbuses keyboard to manage movements..... | TF64-150 |
| | Keyboard to integrate electromechanical buttons..... | TE8-104 |
| Supply | Stabilized supply 100....240Vac/24Vdc, 5A..... | GF_PS5 |
| Software | Preloaded software package for complete management of injection presses..... | GF_PACK INJECTION |
| | Preloaded software package for complete management of extrusion lines..... | GF_PACK EXTRUSION |
| | Integrated programming environment..... | Gefran Automation Builder |
| | Software platform for SCADA applications..... | VedoWin |



In conformity to ECC 2004/108/CE (EMC) and 2006/95/CE (LVD) with reference to: **EN 61131-2** (product) **EN 61010-1** (safety).



GEFRAN spa
 via Sebina, 74
 25050 Provaglio d'Iseo (BS)
 Tel. +39 030 9888.1 - fax +39 030 9839063
 Internet: <http://www.gefran.com>