

Main characteristics:

- 10.4" and 15" color display with resistive touch screen
- vertical or horizontal installation
- IP65 front panel protection level
- two USB ports

Code	According to model (see order code)
Description	According to model (see order code)
Brief description	Operator Panel with display and resistive touch screen

PROFILE

The ePanel Operator Panel, available in 4 versions, lets you display and set the automation data.

The operator uses a color touch screen.

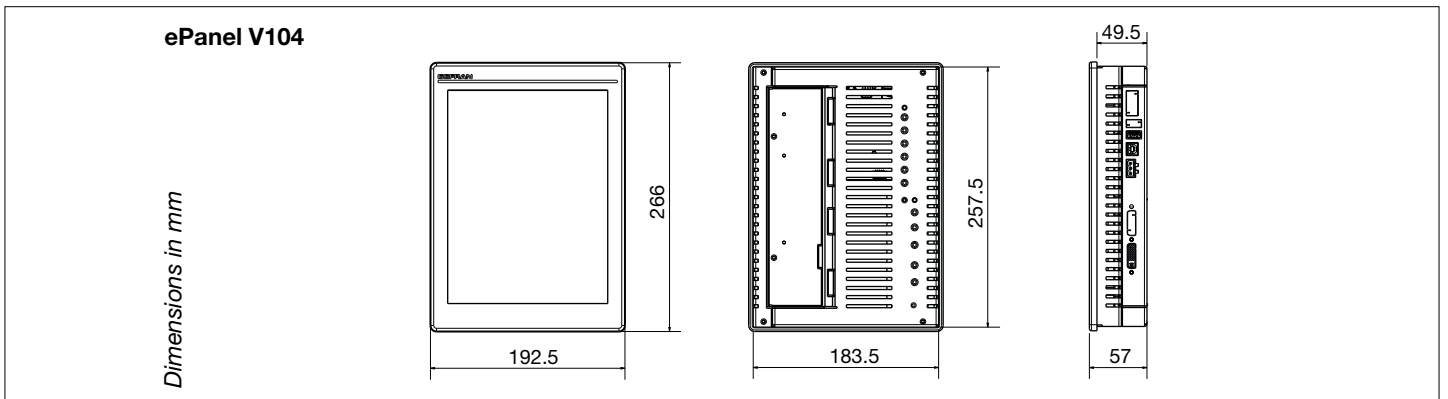
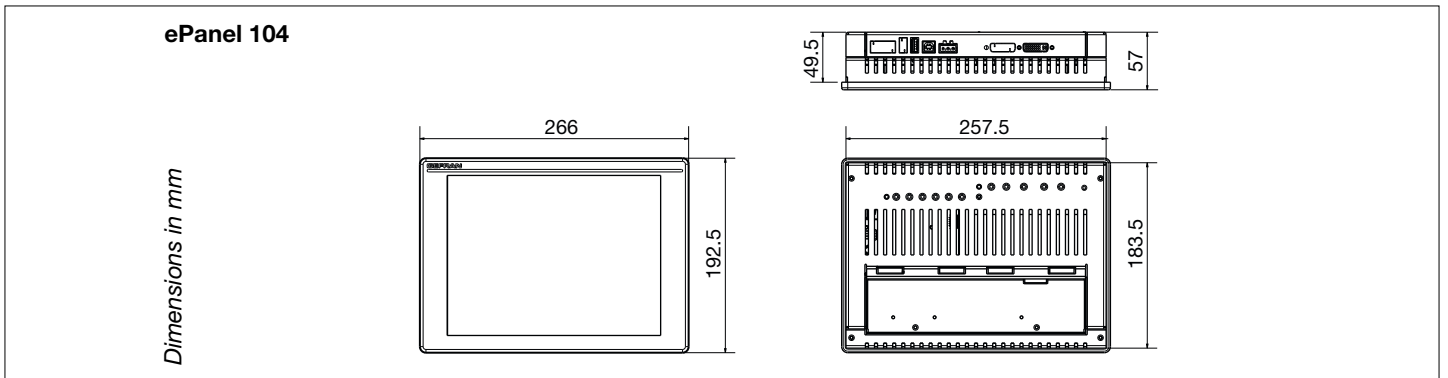
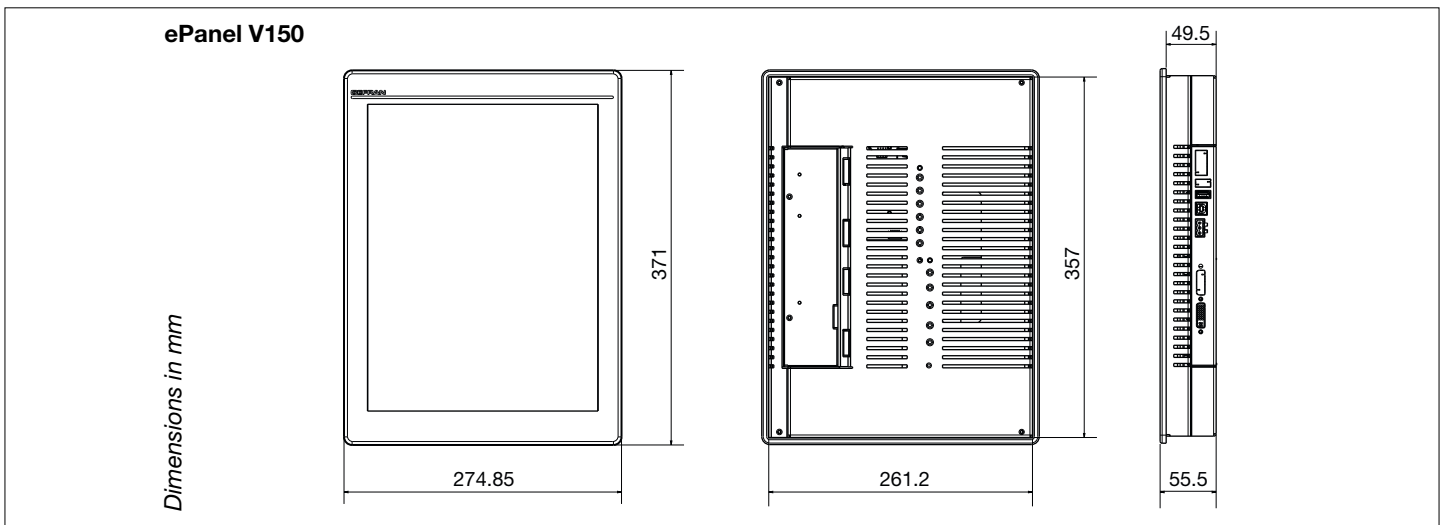
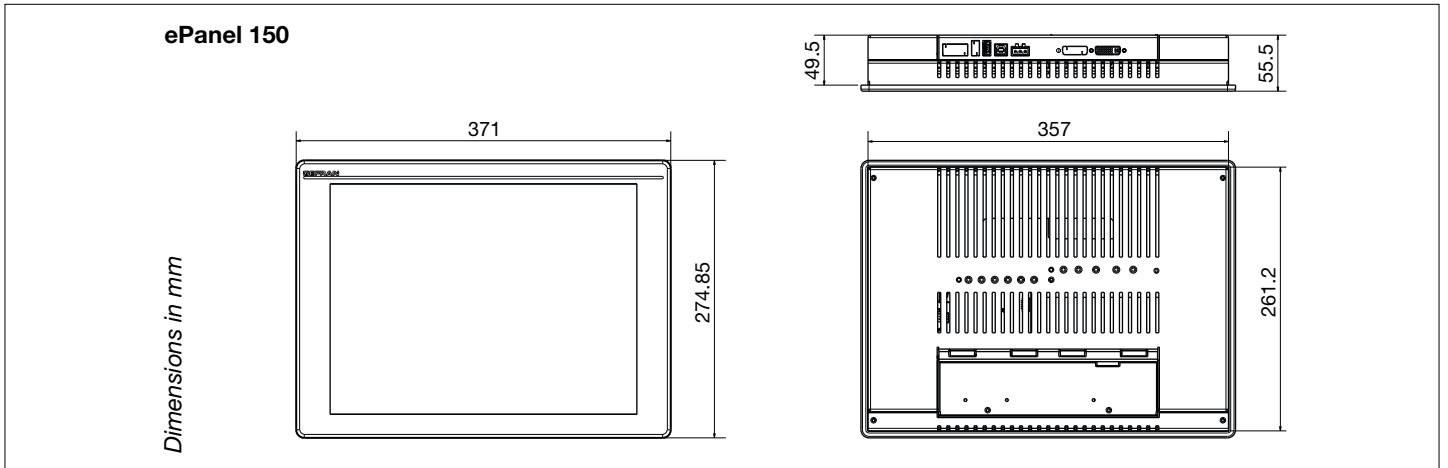
Depending on the model, screen size can be 10.4" or 15", either horizontal or vertical.

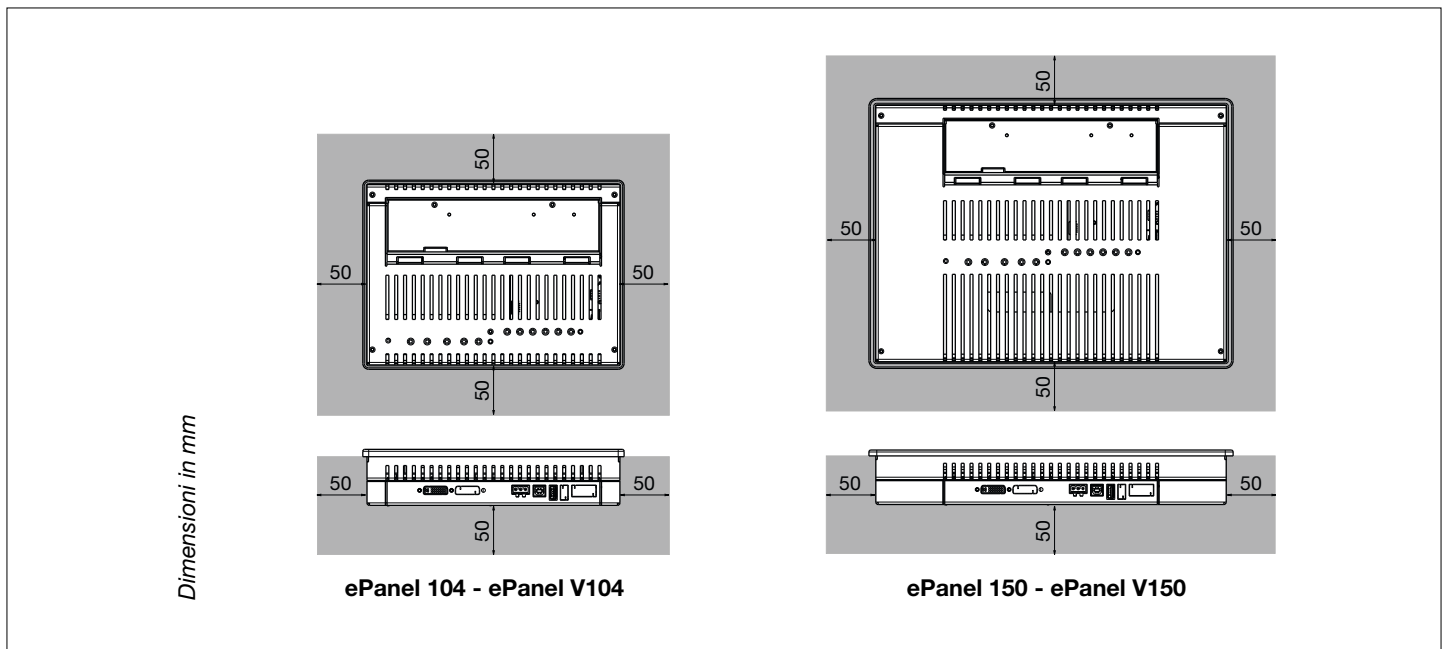
The Operator Panel is connected to the Controller with a DVI-D cable and a USB cable

TECHNICAL DATA

		104 - V104	150 - V150
POWER SUPPLY	Operating voltage	24 VDC \pm 25%	
	Current draw (at 24 VDC)	400 mA max	750 mA max
	Power dissipation	9.6 W max	18 W max
	Protections	Polarity inversion Short circuit	
Connection	3-pin polarized removable connector Screw terminals, max cable section 2.5 mm ²		
CONNECTIONS	Video port	Connector: standard DVI-D Max cable length: 5 m	
	HOST USB port (Controller connection)	Connector: type B Max cable length: 5 m	
	USB port	Number: 2 Connector: type A Standard: USB 2.0 Max cable length: 1.8 m	
DISPLAY	Type	TFT with touch screen	
	Size (diagonal)	10.4"	15"
	Pixel resolution	104: 800 × 600 V104: 600 × 800	150: 1024 × 768 V150: 768 × 1024
	Screen area (L x H)	104: 211.2 × 158.4 mm V104: 158.4 × 211.2 mm	150: 304.1 × 228.1 mm V150: 228.1 × 304.1 mm
	Colors	262.144	
	Luminosity	230 cd/m ²	400 cd/m ²
	Contrast	500:1	700:1
	Backlighting	White LEDs life 30,000 hours @ 25°C	White LEDs life 50,000 hours @ 25°C
	Visual angle	Horizontal: 80° Vertical: 60°-70°	Horizontal: 80° Vertical: 60°-80°
CONFIGURATION ELEMENTS	Video	6 video control buttons (OSD menu) located on rear	
	Touch screen calibration	Via SW in control system	
CONTROL ELEMENTS	Touch screen	4-wire resistive technology	
AMBIENT CONDITIONS	Operating temperature	0 ... +55 °C (as per IEC 68-2-14)	
	Storage temperature	-20 ... +70 °C (as per IEC 68-2-14)	
	Relative humidity	max 95% RH non-condensing (as per IEC 68-2-3)	
	Vibrations	5 to 9 Hz: sine constant 3.5 mm 10 to 150 Hz: sine acceleration 1G	
ASSEMBLY		Built-in, in control boards or panels	
PROTECTION LEVEL		IP 65 on front panel (as per IEC 68-2-3)	
WEIGHT		1.45 kg	3.1 kg
CE STANDARDS	EMC (electromagnetic compatibility)	Conforms to Directive 2004/108/CE EMC Emission: EN 61000-6-4 Immunita EMC: EN 61131-2, EN 61000-4-2, EN 61000-4-3, EN 61000-4-4, EN 61000-4-5, EN 61000-4-6, EN 61000-4-8, EN 61000-4-11	
	LV (low voltage)	Conforms to Directive 2006/95/CE LVD: EN 61010-1	

DIMENSIONS AND SPACES REQUIRED FOR INSTALLATION





Attention: the temperature in the compartment containing the Operator Interface must never exceed 55°C.

The open spaces shown in gray are recommended with static ventilation. These spaces may be reduced with forced ventilation

ORDER CODES

Code	Initial	Description
F056417	ePanel 104	Operator Panel. 10.4" color display with resistive touch screen. Two USB ports (1 × host, 1 × device). Horizontal installation.
F056418	ePanel V104	Operator Panel. 10.4" color display with resistive touch screen. Two USB ports (1 × host, 1 × device). Vertical installation.
F056421	ePanel 150	Operator Panel. 15" color display with resistive touch screen. Two USB ports. (1 × host, 1 × device). Horizontal installation.
F056422	ePanel V150	Operator Panel. 15" color display with resistive touch screen. Two USB ports. (1 × host, 1 × device). Vertical installation.

ACCESSORIES

Code	Initial	Description
F057776	KIT_INSTA	Installation kit (fastening blocks + ferrite + power supply connector)
F057674	CAV_DVI18	1.8 meter DVI-D cable
F057675	CAV_DVI50	5 meter DVI-D cable
F057676	CAV_USB_AB18	1.8 meter USB 2.0 cable, type A - type B connectors
F057677	CAV_USB_AB50	5 meter USB 2.0 cable, type A - type B connectors
F057679	USB_PEN1G	1 GB USB key