

## SW5-SA

SWITCH ETHERNET MODULE - DIN RAIL MOUNTING



### Main applications

- Tree connection of multiple nodes Ethernet

### Main features

- 5 RJ45 Ethernet ports
- Autosense
- Up-link port
- 10/100Mbps
- In Conformity with UL508

### PROFILE

SW5-SA is a switch module with 4+1 Fast Ethernet ports (10/100 Mbps). Installed to panel or on DIN rail with appropriate accessory.

It is equipped with "autosense" ports that automatically switch to the correct transmission speed and can manage both pin-to-pin and crossover cables.

Each communication port has an RJ45 connector and two signal LEDs (link and data) for correct diagnostics.

### TECHNICAL DATA

#### Power supply

- external 24Vdc  $\pm$  25% 0,5A
- extractible connector 2 poles

#### Ethernet

- priority slots
- 10/100 baseTx connection
- Store & Forward
- Standard IEEE 802.3
- Autosense

#### Diagnostics

- POWER led: power on
- LINK led: network connected
- ACTIVITY led: data transfer

### MECHANICAL DATA

Dimensions: 92x90x25,4mm

Weight: 150g.

Protection level: IP20

### AMBIENT CONDITIONS

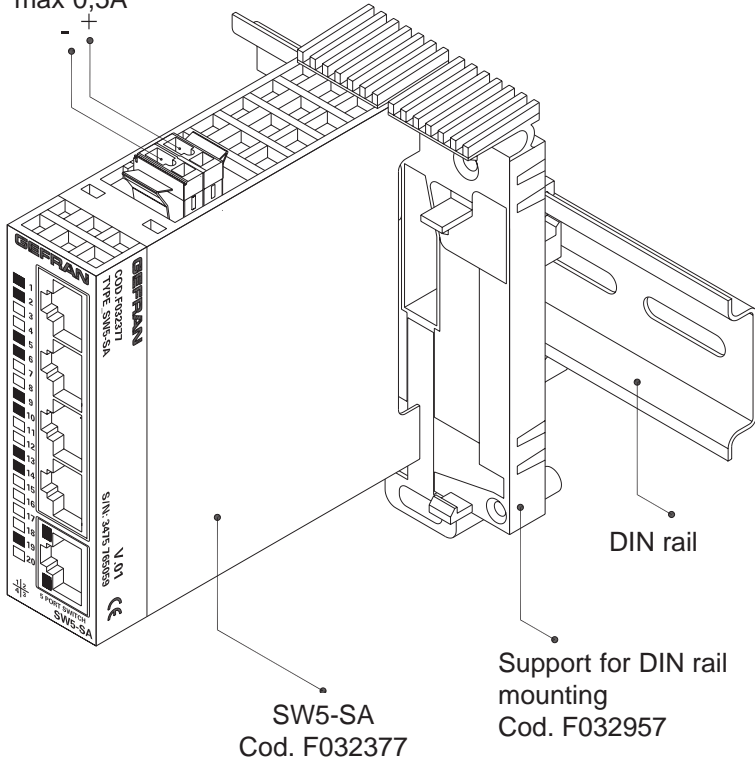
**Working Temperature:** 0...50°C

**Storage Temperature:** -20...70°C

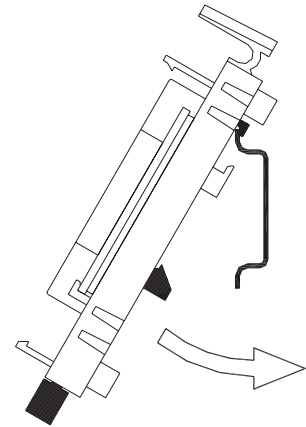
**Humidity:** max. 90% Rh not condensing

# INSTALLATION

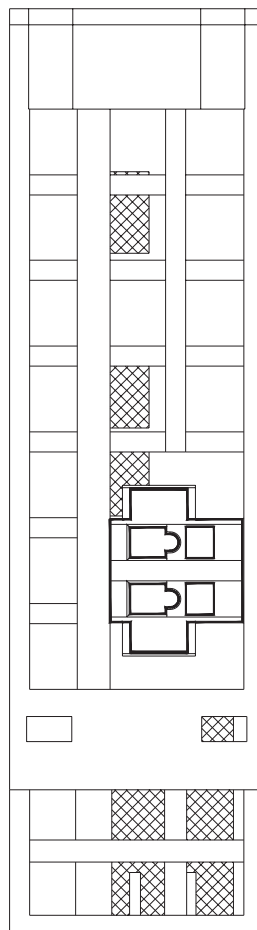
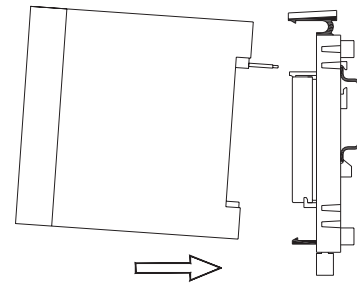
External power supply  
24Vdc  $\pm 25\%$   
max 0,5A



Installation of support on  
35mm DIN rail



Installing and removing  
module on the support



TOP VIEW

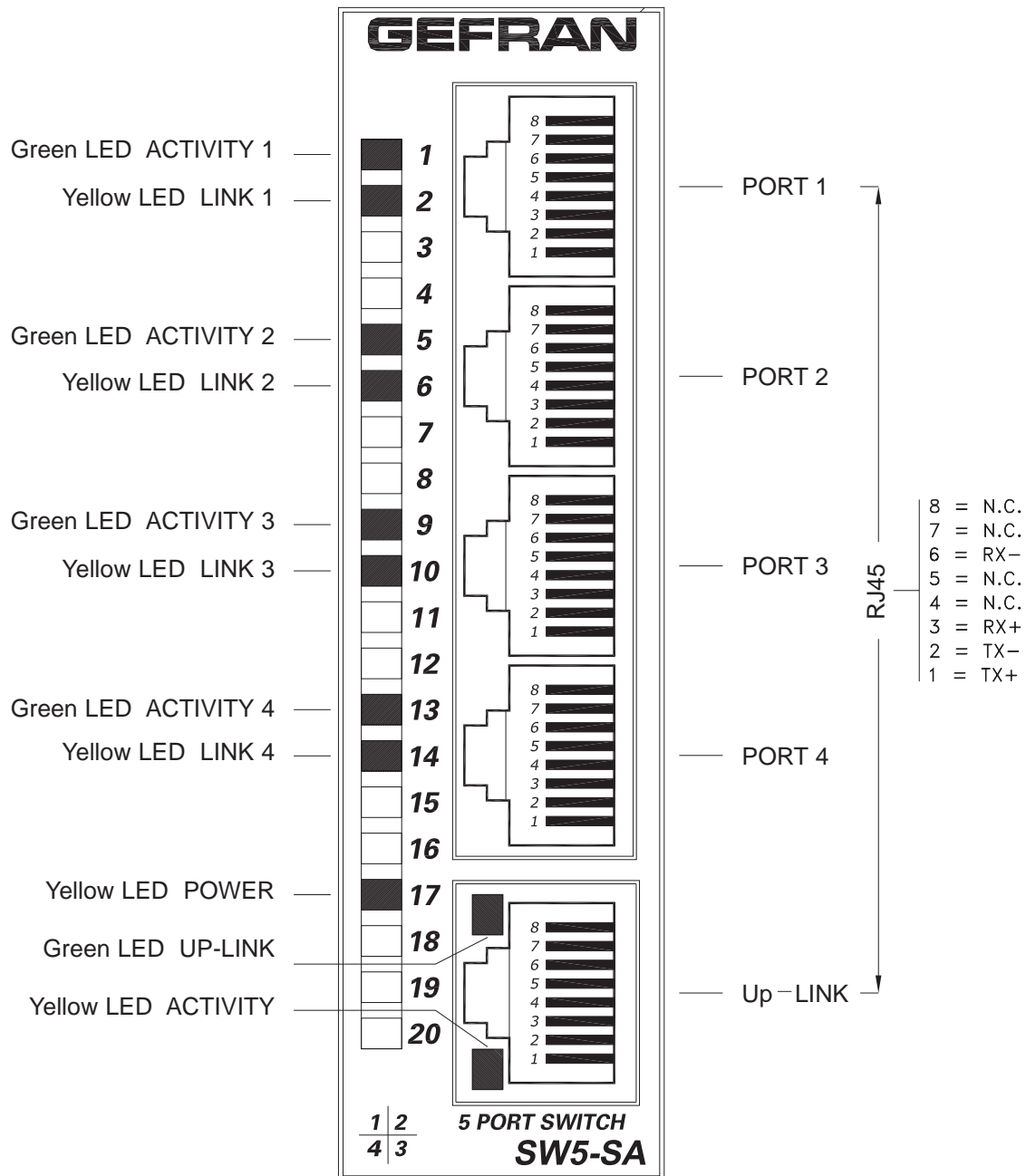
External power supply

- + 24Vdc
- $\pm 25\%$
- - Max 0,5A

## CONNECTIONS

Front connections:

5 Ethernet ports; RJ45 8-wire connector; use standard category 6 cable subject to TIA/EIA-568A (see appendix B).  
 Top connector 2 poles: external power supply 24Vdc  $\pm$ 25%.



**ORDER CODE**Module code **SW5-SA** **F032377** CodeSupport code **SVP-SW5-SA** **F032957** Code

GEFRAN spa reserves the right to make aesthetic or functional changes at any time and without notice



Conformity UL508 File no. E198546



The instrument conforms to the European Directives 2004/108/CE and 2006/95/CE with reference to the generic standards:  
- **EN 61000-6-2** (immunity in industrial environments) - **EN 61000-6-3** (emission in residential environments) - **EN 61010-1** (safety)  
- **EN 61161-2** (product standard). The Declaration of conformity is available on GEFTRAN web: [www.gefran.com](http://www.gefran.com)