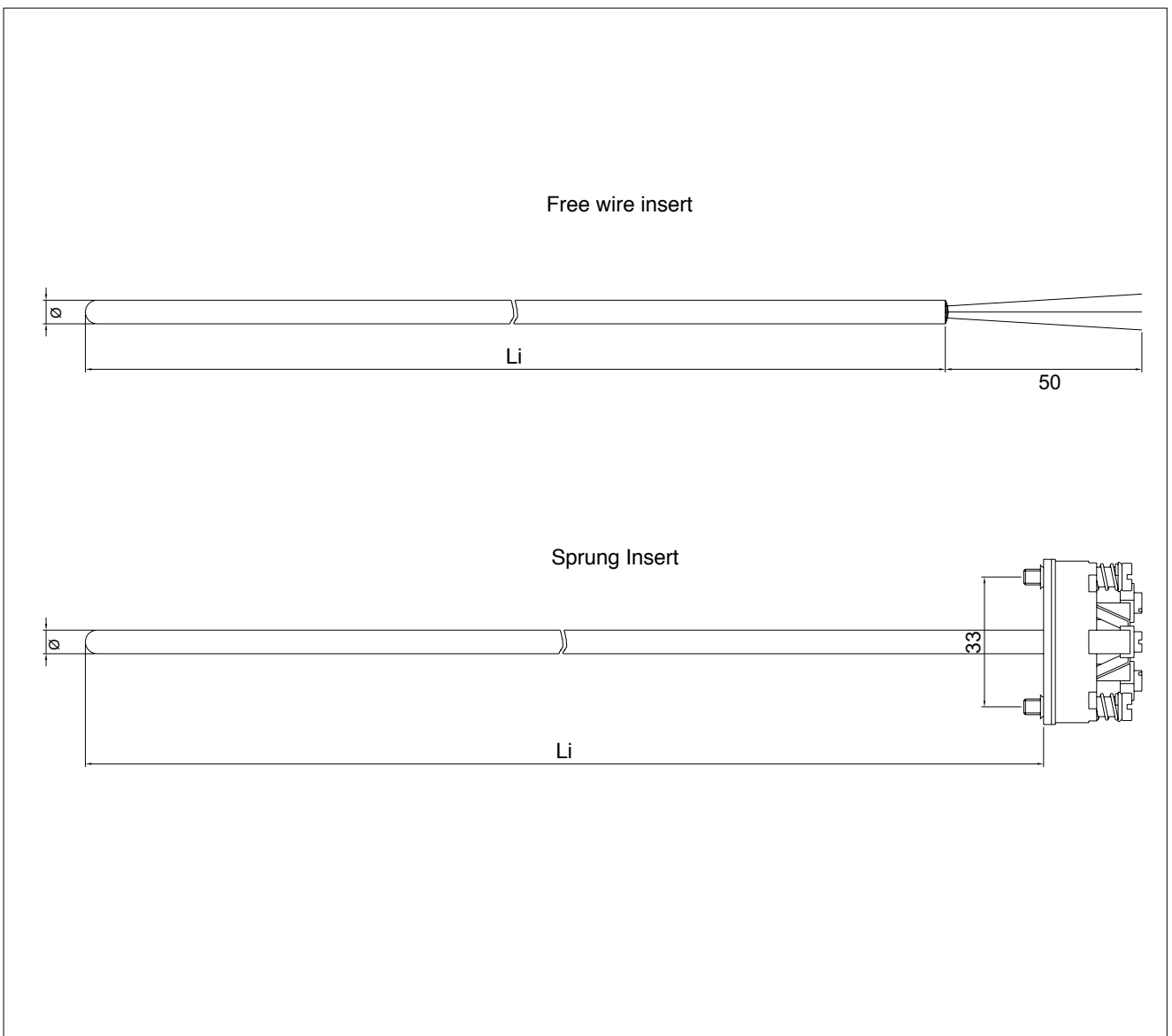


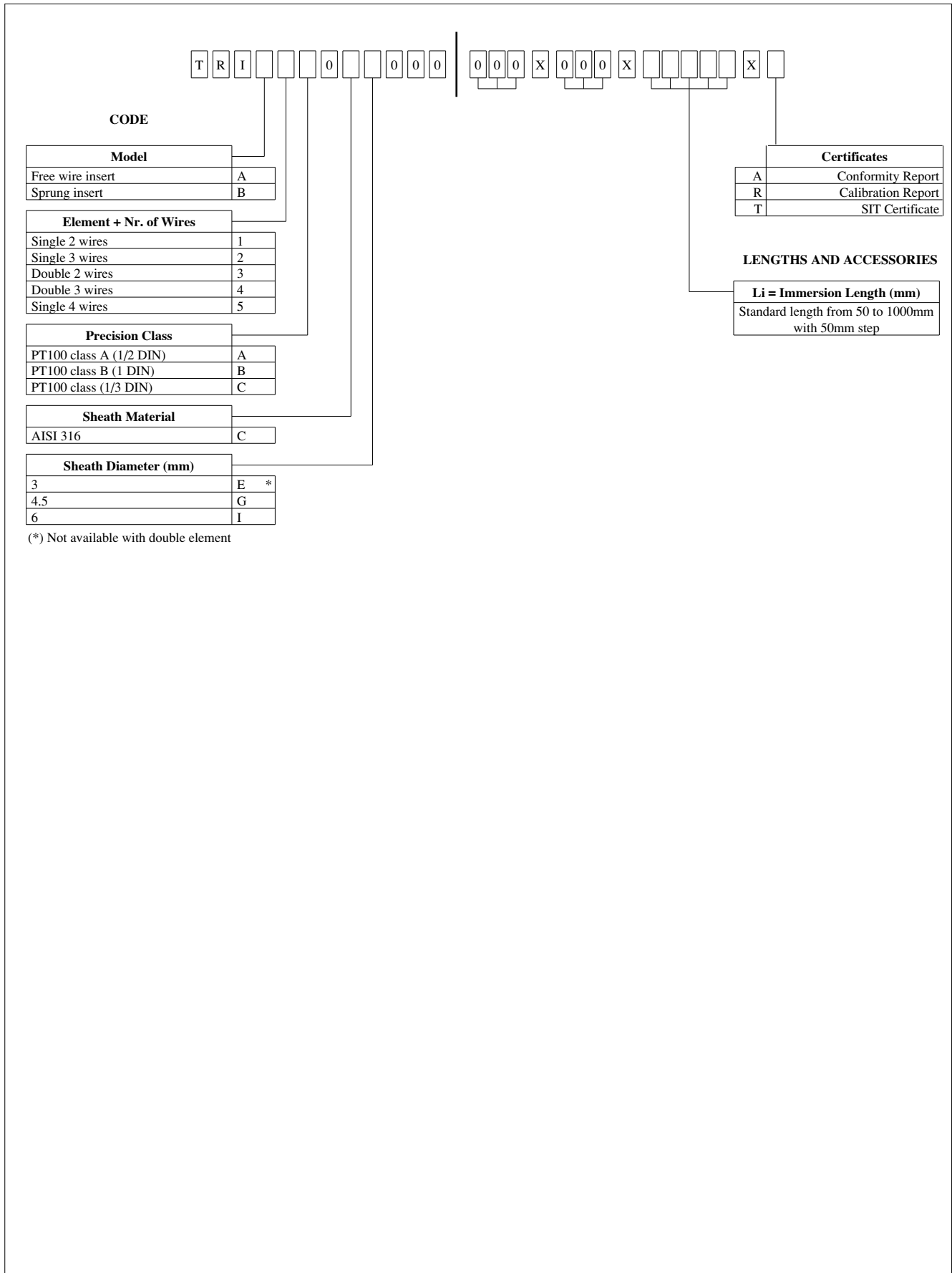
Main features

- Temperature limits: - 80 ... + 600° C
- Tolerance: UNI 7937, IEC 751 standards:
 - ± 0.15° C at 0° C for class A (1/2 DIN)
 - ± 0.30° C at 0° C for class B (1 DIN)
 - ± 0.10° C at 0° C for class 1/3 DIN
- Insulation: > 100 MOhm for voltage values from 10 to 100 Vcc
- PT100 wire-wound resistance thermometer
- Application versatility

MODELS



ORDER CODE



GEFRAN spa reserves the right to make any kind of design or functional modification at any moment without prior notice

GEFRAN

GEFRAN spa
 via Sebina, 74
 25050 PROVAGLIO D'ISEO (BS) - ITALIA
 ph. 0309888.1 - fax. 0309839063
 Internet: <http://www.gefran.com>
www.gefranonline.com

DTS_TRI_07-2012_ENG