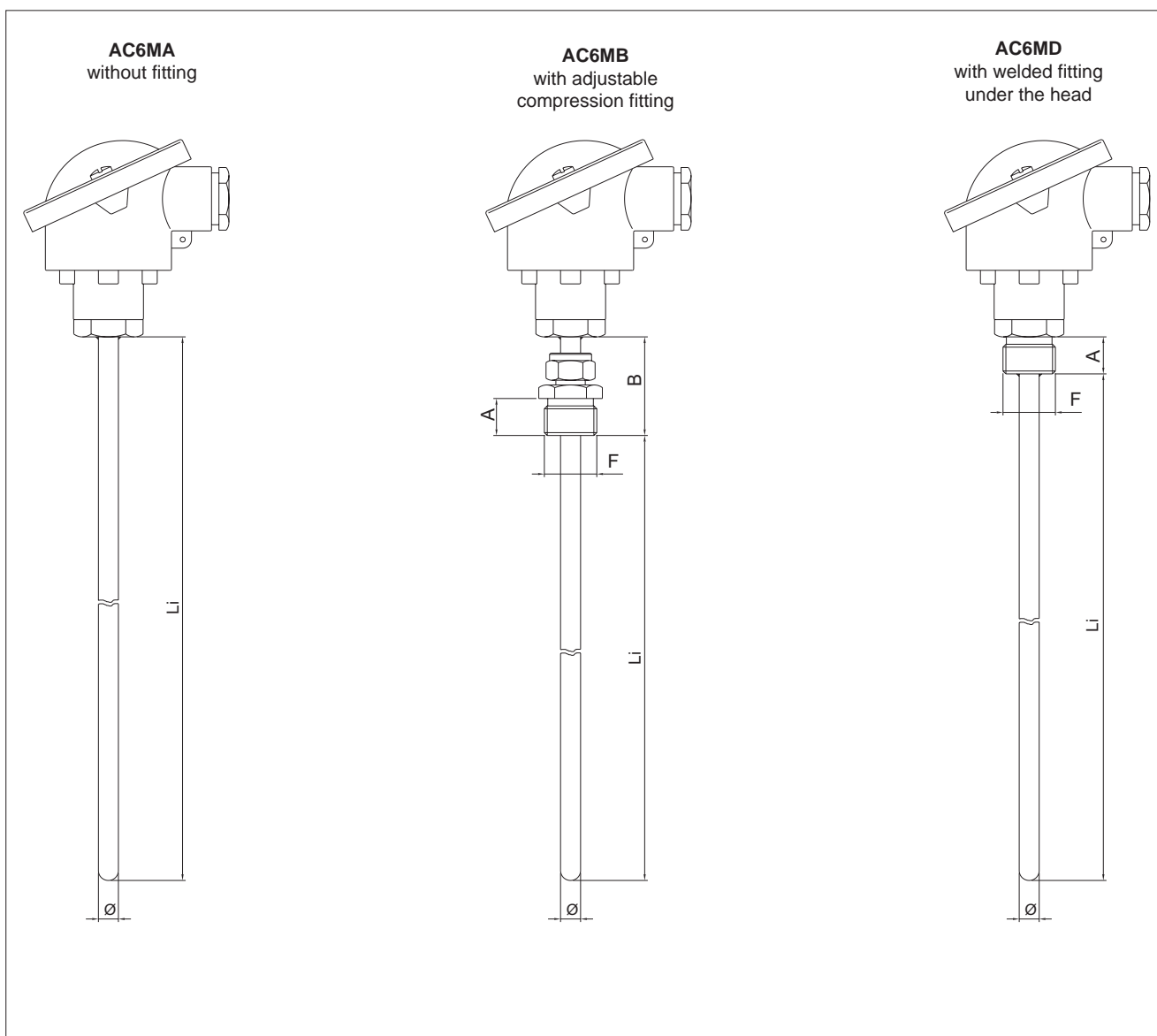




Main features

- Amplified output signal
- Temperature limits:
 - 40 ... + 350° C for type T
 - 40 ... + 750° C for type J
 - 40 ... + 900° C for type E
 - 40 ... + 1000° C for type K
 (see table for sheath diameters)
- Tolerance:
 - IEC 584.2 STANDARD class 1:
 - or type T: $\pm 0,5^{\circ} \text{C}$ (- 40 ... + 125° C)
 - $\pm 0.004 [t]$ ($t > + 125^{\circ} \text{C}$)
 - or type J, E, K: $\pm 1.5^{\circ} \text{C}$ (- 40 ... + 375° C)
 - $\pm 0.004 [t]$ ($t > + 375^{\circ} \text{C}$)
- Mineral insulated (MgO) thermocouple element and continuous metal sheath
- Application versatility

MODELS



ORDER CODE

A C 6 M | | | | | | | | | | 0 | 0 0 0 X | 0 0 0 X | | | | | | | | A

CODE

Model	
Without fitting	A
With adjustable compression fitting	B
With welded fitting under the head	D

Element + Hot Junction	
Single Insulated	1
Single Grounded	2

Thermocouple Type	
Fe - Cu/Ni	J
Ni/Cr - Ni/Al	K
Cu - Cu/Ni	T *
Ni/Cr - Cu/Ni	E

(*) Not available with duple element

Connection Head	
DIN B	C
DIN BUS	E
EEX d IIC 2GD	F
CEAA	H

Sheath Material	
AISI 316	C *
INCONEL 600	F **

(*) Available for T, J, E models only

(**) Available for K model only

Sheath Diameter (mm)	
2	D *
3	E
4.5	G
6	I
8	J

(*) For single element only

Connection Thread *		
1/8" GAS	"A"= 10mm	A
1/4" GAS	"A"= 12mm	B
3/8" GAS	"A"= 15mm	C
1/2" GAS	"A"= 15mm	D
1/8" NPT		G
1/4" NPT		H
3/8" NPT		I
1/2" NPT		J

(*) To be shown for B, D models only

Connection Material *		
Nickel-Plated Brass	1	**
300 Series Stainless Steel	2	

(*) To be shown for B, D models only

(**) Available for AC6MB model only

Sensors amplifiers are manufactured in compliance with:

- EMC 2004/108/CE compatibility directive
- RoHS 2002/95/CE directive

Electrical installation requirements and Conformity certificate are available on our web site: www.gefran.com

Certificates	
A	Conformity Report
R	Calibration Report
T	SIT Certificate

LENGTHS AND ACCESSORIES

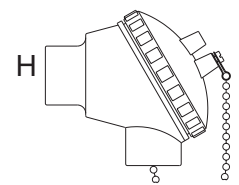
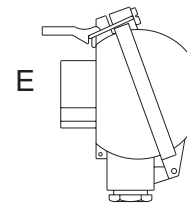
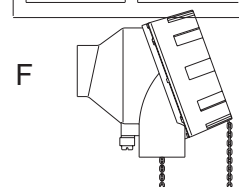
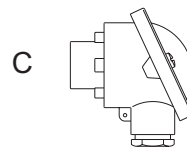
Type of Transmitter	
A	4 ÷ 20mA

Li = Immersion Length (mm)

Standard length from 50 to 2000mm with 50mm step and from 2000 to 10000mm with 500mm step

Temperature range in which the calibration has to be made

T. min	T. max
<input type="text"/> °C	<input type="text"/> °C
<input type="text"/> 4mA	<input type="text"/> 20mA



Availability of Mounts /Sheathing Diameter

MOUNT(F)	ø2	ø3	ø4,5	ø6	ø8
G 1/8	x	x	x	x	-
G 1/4	-	x	x	x	x
G 3/8	-	-	x	x	x
G 1/2	-	-	x	x	x
1/8 NPT	x	x	x	x	-
1/4 NPT	-	x	x	x	x
3/8 NPT	-	-	x	x	x
1/2 NPT	-	-	x	x	x

MOUNT (F)	Mod. B		Mod. D
	A (mm)	B (mm)	A (mm)
G 1/8	10	35	10
G 1/4	12	35	12
G 3/8	15	40	15
G 1/2	15	40	15
1/8 NPT	11	35	11
1/4 NPT	16	40	16
3/8 NPT	16	40	16
1/2 NPT	20	45	20

GEFRAN spa reserves the right to make any kind of design or functional modification at any moment without prior notice

GEFRAN

GEFRAN spa
 via Sebina, 74
 25050 PROVAGLIO D'ISEO (BS) - ITALIA
 ph. 0309888.1 - fax. 0309839063
 Internet: <http://www.gefran.com>

DTS_AC6M_0709_ENG