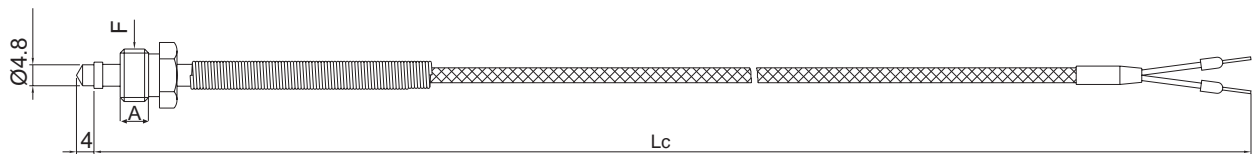




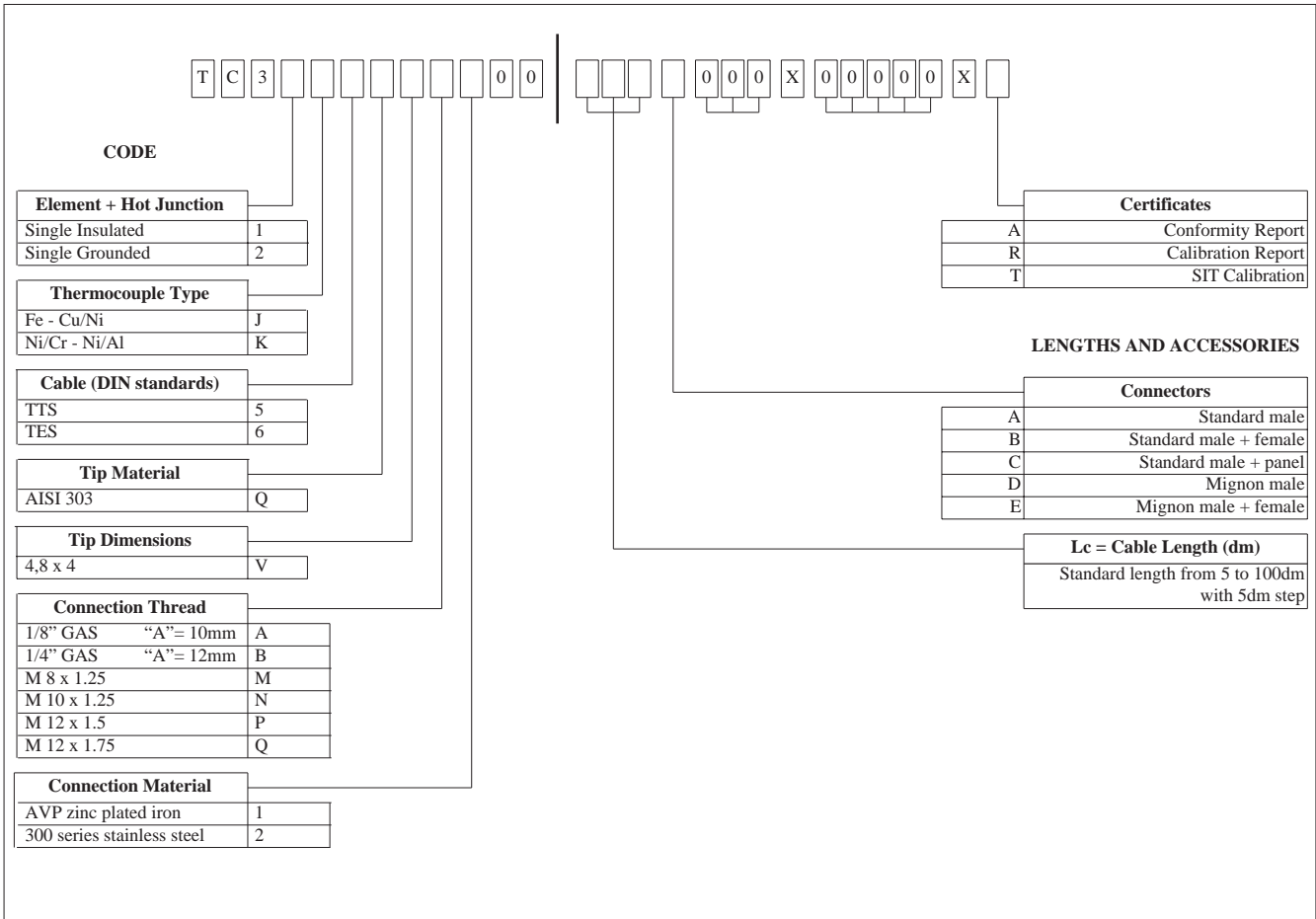
Main features

- Temperature limits: - 40 ... + 250° C
- Tolerance: UNI 7938, IEC 584.2 Standards, Class 2:
for types J, K: $\pm 2.5^{\circ}$ C
- Extension cable insulation: fibreglass, screened
TEFLON®
- Stainless steel tip
- Thrust spring washer
- Cable to DIN standard

MODELS



ORDER CODE



GEFRAN spa reserves the right to make any kind of design or functional modification at any moment without prior notice