

GEFRAN

AR6M

Mineral oxide resistance thermometers for a wide range of industrial applications

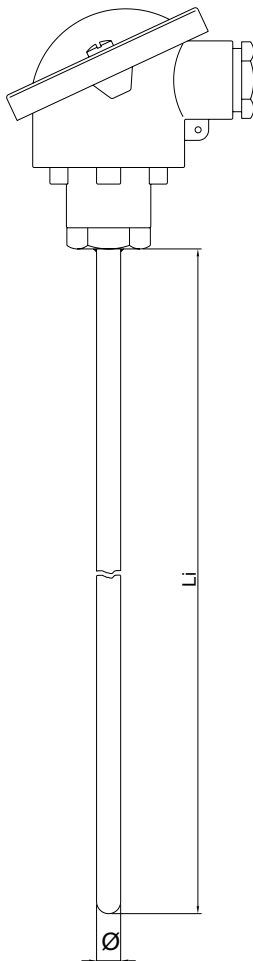


Main features

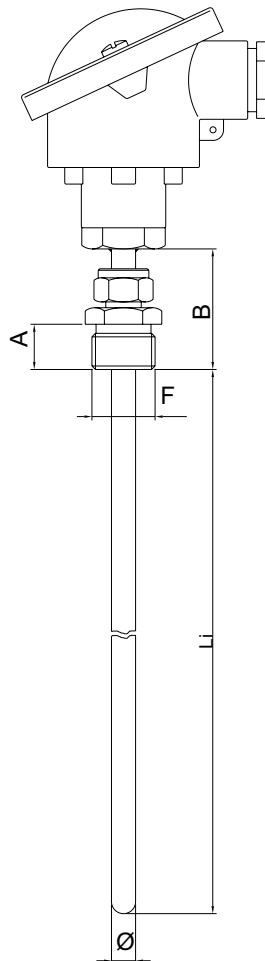
- 4...20mA Transmitter
- Amplified output signal
- Temperature Limits: -80 ... +600° C
- Tolerance: UNI 7937, IEC 751 standards:
 - ± 0.15° C a 0° C for class A (1/2 DIN)
 - ± 0.30° C a 0° C for class B (1 DIN)
 - ± 0.10° C a 0° C for class 1/3 DIN
- Compact mineral insulated (MgO) resistance thermometer element (Pt100 at 0°C) and continuous metal sheath
- Application versatility

MODELS

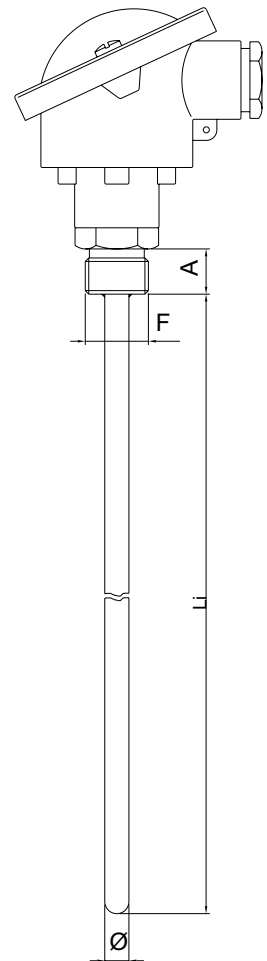
AR6M A
without fitting



AR6M B
with adjustable
compression fitting



AR6M D
with welded fitting
under the head



ORDER CODE

A R 6 M | 0 0 0 X 0 0 0 X | | | | | A

CODE

Model	
Without fitting	A
With adjustable compression fitting	B
With welded fitting under the head	D

Element + Nr. of Wires	
Single 2 wires	1
Single 3 wires	2

Precision Class	
PT100 class A (1/2 DIN)	A
PT100 class B (1 DIN)	B
PT100 class (1/3 DIN)	C

Connection Head	
DIN B	C
DIN BUS	E
EEX d IIC 2GD	F
CEAA	H

Sheath Material	
AISI 316	C

Sheath Diameter (mm)	
3	E *
4.5	G
6	I

(*) Not available with double element

Connection Thread *		
1/8" GAS	"A"= 10mm	A
1/4" GAS	"A"= 12mm	B
3/8" GAS	"A"= 15mm	C
1/2" GAS	"A"= 15mm	D
1/8" NPT		G
1/4" NPT		H
3/8" NPT		I
1/2" NPT		J

(*) To be shown for B, D models only

Connection Material *		
Nickel-Plated Brass	1	**
300 Series Stainless Steel	2	

(*) To be shown for B, D models only

(**) Available for AR6MB model only

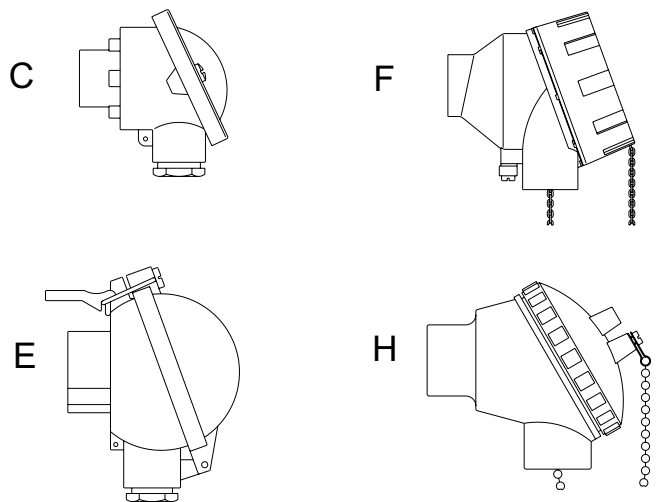
Certificates	
A	Conformity Report
R	Calibration Report
T	SIT Certificate

LENGTHS AND ACCESSORIES

Type of Transmitter	
A	4 ÷ 20mA

Li = Immersion Length (mm)
 Standard length from 50 to 2000 mm with 100 mm step
 And from 2000 to 10000 mm with 500 mm step

Temperature Range in which the Calibration has to be Made			
T. min		T. max	
	°C		°C
	4mA		20mA



MOUNT (F)	Mod. B		Mod. D
	A (mm)	B (mm)	A (mm)
G 1/8	10	35	10
G 1/4	12	35	12
G 3/8	15	40	15
G 1/2	15	40	15
1/8 NPT	11	35	11
1/4 NPT	16	40	16
3/8 NPT	16	40	16
1/2 NPT	20	45	20

Availability of Mounts / Sheathing Diameter			
MOUNT (F)	ø3	ø4,5	ø6
G 1/8	x	x	x
G 1/4	x	x	x
G 3/8	-	x	x
G 1/2	-	x	x
1/8 NPT	x	x	x
1/4 NPT	x	x	x
3/8 NPT	-	x	x
1/2 NPT	-	x	x

Sensors amplifiers are manufactured in compliance with:

- EMC 2004/108/CE compatibility directive
- RoHS 2002/95/CE directive

Electrical installation requirements and Conformity certificate are available on our web site: www.gefran.com

GEFRAN spa reserves the right to make any kind of design or functional modification at any moment without prior notice

GEFRAN

GEFRAN spa
 via Sebina, 74
 25050 PROVAGLIO D'ISEO (BS) - ITALIA
 ph. 0309888.1 - fax. 0309839063
 Internet: <http://www.gefran.com>

DTS_AR6M_07-2012_ENG