



*Accessories for:*

*GFX - M1/S1/E1*

*GFX - M2/S2/E2*

*GFX4/GFX4-IR - 30/60/80*

*GFXTERMO4*

- *GF\_eXpress*
- *Serial line converters / repeaters*
- *Power supply*
- *Programming terminal*
- *Communication connectors / adapters*
- *Input / Output connectors*
- *Cables*

Note: if better not specified when indicated GEFLEX agrees all the range

## CONFIGURATION KIT



Kit for configuring Gefran instruments via PC (Windows environment).  
Lets you read or write all parameters of a single instrument via serial connection

- A single software for all models.
- Easy configuration.
- Copy/paste, save recipe, trend functions.
- Rapid instrument configuration.
- Parameter recipe saving and management
- On-line trends and historical data saving
- Recovery of factory settings
- Custom linearization
- On-line operator manual

### ORDER CODE

**GF\_eXK-1-1-0**



## SERIAL LINE CONVERTERS / REPEATERS

### PRODUCT DESCRIPTION

ADAM-4520 converter

Converts a 232 serial line to a 485 serial line Typically used for communication from PC to Geflex units

ADAM-4510 repeater

Reproduces a serial signal

Typically used to configure field bus with Modbus protocol when there are more than 32 nodes

### ORDER CODE

*RS232/485 serial line converter*

**ADAM - 4520**

*RS485 serial line repeater*

**ADAM - 4510**



## POWER SUPPLY

### PRODUCT DESCRIPTION

Network power supply for one Geflex

### ORDER CODE

*Stabilized power supply (24 Vdc, 12 W) complete with power adapter for Geflex  
(Max nr. 2 GFX-M1/S1/E1, GFX-M2/S2/E2 contemporary alimentation)  
(Max nr. 1 GFX4 o GFXTERMO4)*

**PWS24**



## GFX\_OP PROGRAMMING TERMINAL

### PRODUCT DESCRIPTION

Operator terminal for field configuration of the entire Geflex range

Two types of terminals are available:

- for installation on the Geflex heatsink or on DIN guide
- for installation on the faceplate

A kit for communication with the PC is included with the terminal installed on DIN guide.

Main characteristics:

- double display for variables
- display to identify the communication node
- six function keys
- LED for diagnostics of inputs/outputs and main Geflex functions
- ability to upload/download the Geflex configuration (up to a maximum of ten)
- powered directly by the Geflex

### ORDER CODE

Programming terminal for Geflex (installation on DIN guide or on heatsink), complete with connection cable to Geflex (L = 0.3 m)

**GFX-OP-D**

Note: see cable section for other cable lengths

Programming terminal for Geflex (installation on faceplate)

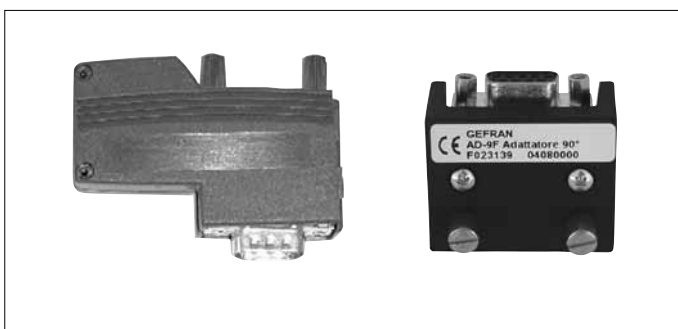
**GFX-OP-P**

Note: see cable section for connection cable

Kit consists of:

power supply, connection cable PC <-> GFX-DP-D (L = 2 m), power adapter for the Geflex

**GFX-OP-K**



## COMMUNICATION CONNECTORS / ADAPTERS

### PRODUCT DESCRIPTION

Series of connectors for all field bus types (Modbus, Profibus, CANopen, DeviceNet), to facilitate wiring of the communication cable. Adapters to bring 9 pin SUB connector to front.

### SIGLA DI ORDINAZIONE

Connector for Geflex Master Modbus with cover and inside terminals

**CON-M-90**

Connector for Geflex Master Profibus with cover and inside terminals

**CON-P-90**

Connector for Geflex CANopen with cover and inside terminals

**CON-C-90**

Connector for DeviceNet with cover and inside terminals

**CSIG-5**

Connector for serial1 (local bus) type 4p4c/RJ10

**CRJ10**

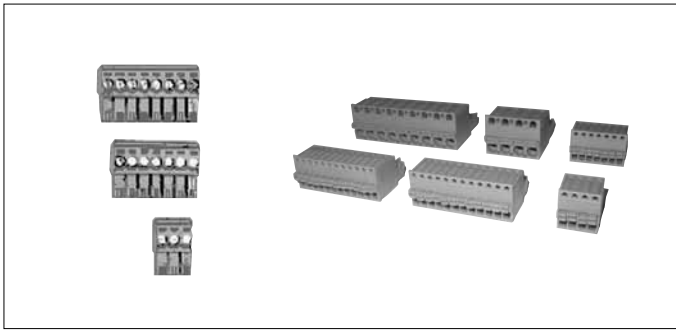
90° adapter for 9 pin SUBD male connector (Geflex Master CANopen)

**AD-9M**

90° adapter for 9 pin SUBD female connector (Geflex Master Modbus/Profibus)

**AD-9F**

## CONNECTORS FOR INPUTS / OUTPUTS



### PRODUCT DESCRIPTION

Series of connectors for Geflex inputs/outputs/power supply

### ORDER CODE

#### Availables for Geflex Multifunction and Valves from 5A to 15A

3-terminal connector (J2) for Geflex Slave to an output

**CSIG-3**

4-terminal connector (J4) for Geflex\_Multifunction or

Geflex\_Valve Master/Slave/Expansion for power

**CSIG-4**

#### Availables for Geflex from 25A to 120A

4-terminal connector (J5) for Geflex\_Multifunction or

Geflex\_Valve Master/Slave/Expansion for auxiliary input

**CSIG-5**

7-terminal connector (J1) for Geflex Master/Slave inputs/power supply

**CSIG-7**

8-terminal connector (J2) for 3-output Geflex Master/Slave

**CSIG-8**

#### Availables for GFX4 and GFXTERMO4

9-pin connector for alarm and cooling output (J1)

**COU4-9**

4-pin connector for alarm outputs (J1a)

**COU4-4**

7-pin connector for digital inputs feed (J2)

**CSIG4-7**

12-pin connector for auxiliary analog inputs and control outputs (J3)

**CSIG4-12**

4-pin connector for main outputs (J3a)

**CSIG4-4**

12-pin connector for analog process inputs (J4)

**CSIG4-12**

## CABLES



### PRODUCT DESCRIPTION

Series of cables for field bus and to extend connections between Geflex GFXS1/S2.

### ORDER CODE

Shielded cable, 1 pair, 22 AWG, L = 1 m Modbus type

**2x0.35 CABLE**

Shielded cable, 1 pair, 22 AWG, L = 1 m Profibus type

**PROFIBUS CABLE**

Shielded cable, 2 pairs, 22 AWG, L = 1 m CANopen type

**CANBUS CABLE**

4-pin telephone cable

**CV4-RJ10**

Connection cable for GFX-OP <-> Geflex or for S1/S2 <-> Geflex S1/S2

complete with connectors, length 1 m

**CV-1**

Connection cable for GFX-OP <-> Geflex or for Geflex S1/S2 <-> Geflex S1/S2

complete with connectors, length 2,5m

**CV-2**

Connection cable for GFX-OP <-> Geflex or for Geflex S1/S2 <-> Geflex S1/S2

complete with connectors, length 5m

**CV-5**

Cable l = 0.3 m for Modbus serial connection (RJ10) (local bus) GFX4 <-> GFX4

**CV4-03**

Cable l = 1 m for Modbus serial connection (RJ10) (local bus) GFX4 <-> GFX4

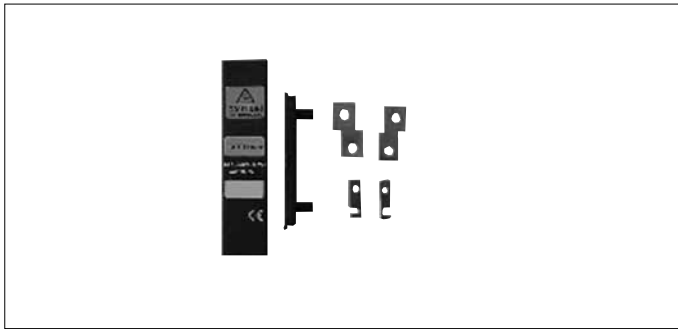
**CV4-1**

Cable l = 2 m for Modbus serial connection (RJ10) (local bus) GFX4 <-> GFX4

**CV4-2**

Cable l = 5 m for Modbus serial connection (RJ10) (local bus) GFX4 <-> GFX4

**CV4-5**



## KIT TO ADAPT GTS MODULES TO GEFLEX BASE

### PRODUCT DESCRIPTION

Kit consisting of set of reeds with nickel-plated copper contact, pad-printed cover with hook cursor.  
Permits installation of GTS series solid state power relays on the Geflex base.

### ORDER CODE

Kit to insert GTS-25A on Geflex BASE Master/Slave 25-40	<b>CGK-25</b>
Kit to insert GTS-40A on Geflex BASE Master/Slave 25-40	<b>CGK-40</b>
Kit to insert GTS-60A on Geflex BASE Master/Slave 60-120	<b>CGK-60</b>
Kit to insert GTS-75A on Geflex BASE Master/Slave 60-120	<b>CGK-75</b>
Kit to insert GTS-90A on Geflex BASE Master/Slave 60-120	<b>CGK-90</b>
Kit to insert GTS-120A on Geflex BASE Master/Slave 60-120	<b>CGK-120</b>



## MODULES

### ORDER CODE

#### Availables for Geflex Multifunction and Valves from 5A to 15A

SSR from 5A 230V	<b>GTS-L 5/230</b>
SSR from 10A 230V	<b>GTS-L 10/230</b>
SSR from 15A 230V	<b>GTS-L 15/230</b>
SSR from 5A 440V	<b>GTS-L 5/440</b>
SSR from 10A 440V	<b>GTS-L 10/440</b>
SSR from 15A 440V	<b>GTS-L 15/440</b>
Double continuous output module 0/4...20mA (0...10V)	<b>GFX-OUT-CC</b>
Double relay module	<b>GFX-OUT-RR</b>
Relay two changes 12A bobine 24 Volt	<b>RELÈ</b>
Base for BAR DIN coupling	<b>ZOCCOLO FI9672</b>

#### Availables for Geflex from 25A to 120A

SSR from 25A 480V	<b>GTS-25/480-0</b>
SSR from 40A 480V	<b>GTS-40/480-0</b>
SSR from 60A 480V	<b>GTS-60/480-0</b>
SSR from 75A 480V	<b>GTS-75/480-0</b>
SSR from 90A 480V	<b>GTS-90/480-0</b>
SSR from 120A 480V	<b>GTS-120/480 VEN92</b>

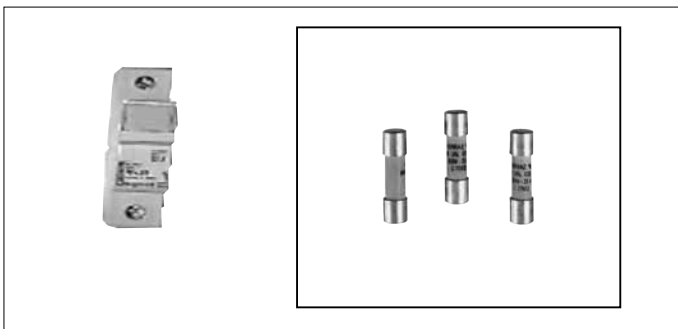
## FANS



### ORDER CODE

Fan (flow rate 39m3/h) for GFX4-30	<b>VEN-61</b>
Fan (flow rate 56m3/h) for GFX4-60 and GFX-80	<b>VEN-62</b>
Fan grille for GFX4	<b>GRI-4</b>
Filter for fan	<b>FLT-4</b>

## FUSES / FUSE HOLDERS



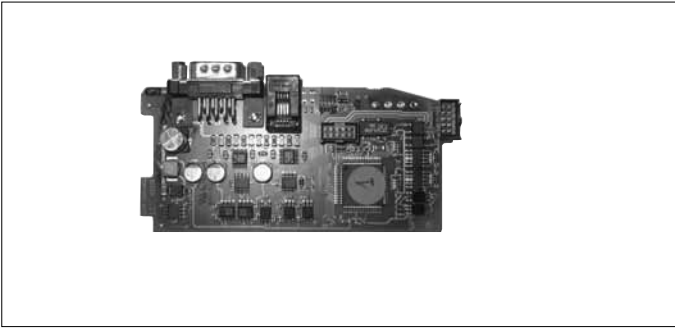
### PRODUCT DESCRIPTION

High-speed fuses for protection

### ORDER CODE

<b>Availables for Geflex Multifunction and Valves from 5A to 15A</b>	
Fuses for Geflex_Multifunction with SSR from 5A	<b>FUS-05G</b>
Fuses for Geflex_Multifunction with SSR from 10A	<b>FUS-10G</b>
Fuses for Geflex_Multifunction with SSR from 15A	<b>FUS-16G</b>
<b>Availables for Geflex from 25A to 120A</b>	
25A (10x38 mm) fuses for Geflex	<b>FUS-025</b>
40A (45x51 mm) fuses for Geflex	<b>FUS-040</b>
60A (22x58 mm) fuses for Geflex	<b>FUS-080</b>
75A (22x58 mm) fuses for Geflex	<b>FUS-080</b>
90A (22x58 mm) fuses for Geflex	<b>FUS-100</b>
120A, non-extractable (100x51x30 mm) fuses for Geflex	<b>FUS-125N</b>
Fuse holders for type FUS-025 fuses	<b>PF-10x38</b>
Fuse holders for type FUS-040 fuses	<b>PF-14x51</b>
Fuse holders for type FUS-080, FUS-100 fuses	<b>PF-22x58</b>
Fuse holders for type FUS-125N fuses	<b>PF-DIN</b>
<b>Availables for GFX4</b>	
Fuses for GFX4-30	<b>FUS-016</b>
Fuses for GFX4-60	<b>FUS-030</b>
Fuses for GFX4-80	<b>FUS-063</b>
Fuse holders for GFX4-30	<b>PF-10x38</b>
Fuse holders for GFX4-60	<b>PF-10x38</b>
Fuse holders for GFX4-80	<b>PF-22x58</b>

## FIELD BUS CARD



### ORDER CODE

<i>Cards for Modbus RTU protocol (serial 2)</i>	<b>GFX4-MOD</b>
<i>Cards for Profibus DP protocol (serial 2)</i>	<b>GFX4-PROFI</b>
<i>Cards for CANopen protocol (serial 2)</i>	<b>GFX4-CAN</b>
<i>Cards for DeviceNet protocol (serial 2)</i>	<b>GFX4-DNET</b>
<i>Cards for Ethernet Modbus TCP protocol (serial 2)</i>	<b>GFX4-ETH</b>
<i>Cards for Ethernet IP</i>	<b>GFX4-ETH1</b>
<i>Cards for EtherCAT</i>	<b>GFX4-ETH2</b>
<i>Cards for Profinet</i>	<b>GFX4-ETH3</b>

**GEFRAN spa** reserves the right to make aesthetic or functional changes at any time and without notice.

**GEFRAN**

**GEFRAN spa** via Sebina, 74 - 25050 Provaglio d'Iseo (BS)  
Tel. 03098881 - fax 0309839063  
Internet: <http://www.gefran.com>

DTS\_ACCESSORI-GFX\_05-2012\_ENG